

**Features:**

Small Size  
Optional removable connectors for Assembly integration



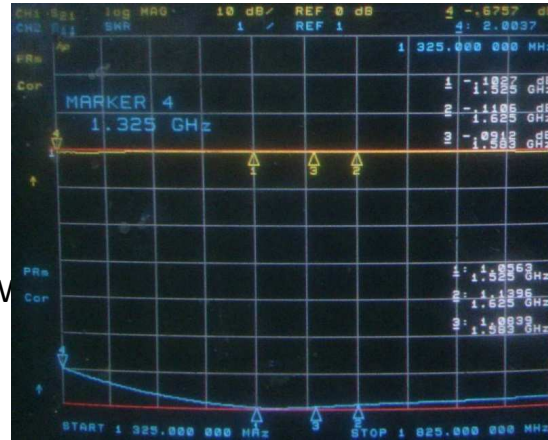
**Specifications:**

**Electrical:**

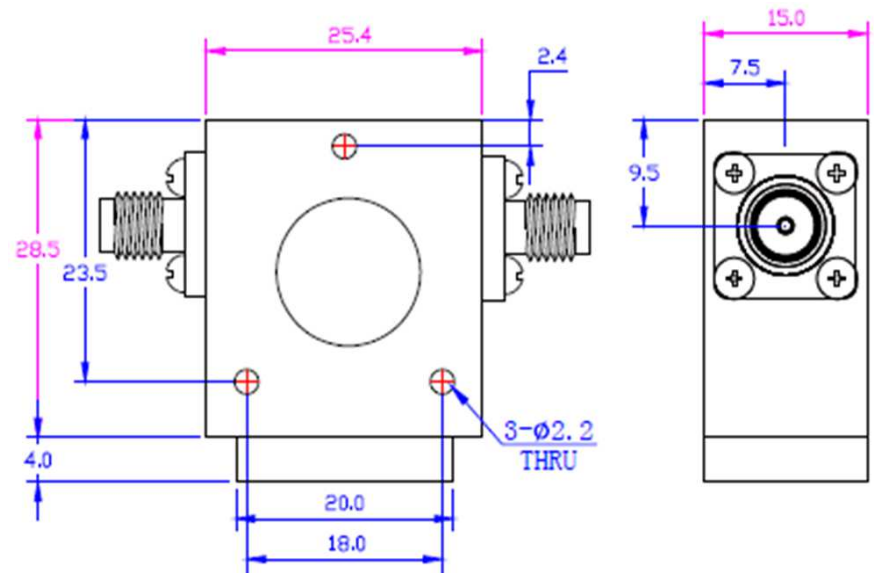
Frequency:1525-1625MHz  
Isolation:23dB(Min.)  
VSWR:1.20:1(Max.)  
Insertion Loss:0.3dB(Max.)  
Power:Forward: 100W;Reverse:30W  
Impedance: 50Ohm  
Connection: SMA Female  
Direction:Clockwise

**Environmental:**

Temperature:-20°C~65°C



Unit:mm



UNLESS OTHERWISE SPECIFIED ALL DIMENSIONS ARE IN mm AND TOLERANCES ARE:				Woken Technology Inc.
INTEGRAL DIMENSIONS ±TOLINT		ANGULAR DIMENSIONS ±TOLANG		
x	±0.38	.xx	±0.15	CODE 1525-1625MHz 23dB A:100W I/L0.3dB SIZE A4 DWG TITLE VSWR:1.2 SMA CW Isolator DWG NO. 0140A23150101P
.x	±0.25	.xx x	±0.05	
THIRD ANGLE PROJECTION		DRAWN	Terence	04/01/11'
		ENGR	Jack	04/01/11'
		APVD	James	04/01/11'