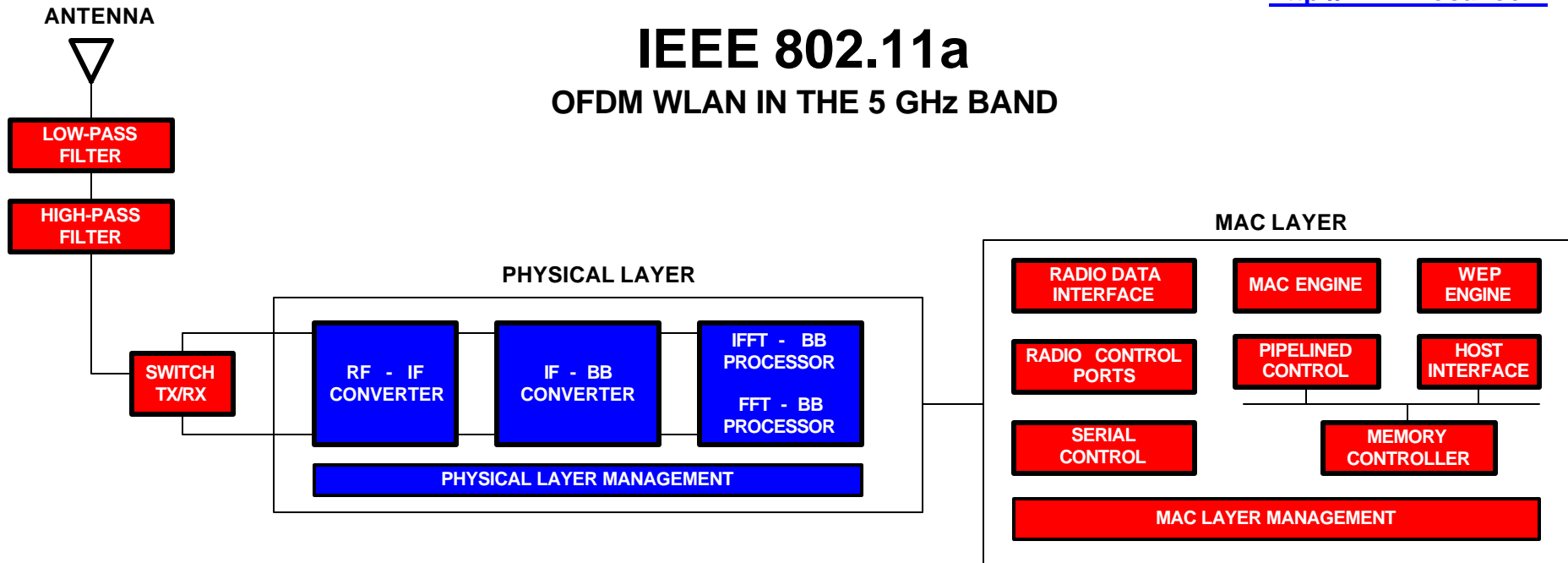


IEEE 802.11a

OFDM WLAN IN THE 5 GHz BAND



Modulation Techniques

Data Rate (Mbps)	Modulation	Coding Rate	Coded bits per subcarrier	Coded bits per OFDM symbol	Data bits per OFDM symbol
6	BPSK	1/2	1	48	24
9	BPSK	3/4	1	48	36
12	QPSK	1/2	2	96	48
18	QPSK	3/4	2	96	72
24	16-QAM	1/2	4	192	96
36	16-QAM	3/4	4	192	144
48	64-QAM	2/3	6	288	192
54	64-QAM	3/4	6	288	216

OFDM Operating Bands and Channels

Band	Channel numbers	Frequency (MHz)	Maximum output power
U-NII lower band 95.15 to 5.25 MHz	36	5180	40mW (2.5mW/MHz)
	40	5200	
	44	5220	
	48	5240	
U-NII lower band 95.15 to 5.25 MHz	52	5260	200mW (12.5mW/MHz)
	56	5280	
	60	5300	
	64	5320	
U-NII lower band 95.15 to 5.25 MHz	149	5745	800mW (50mW/MHz)
	153	5765	
	157	5785	
	161	5805	

Frame Format

