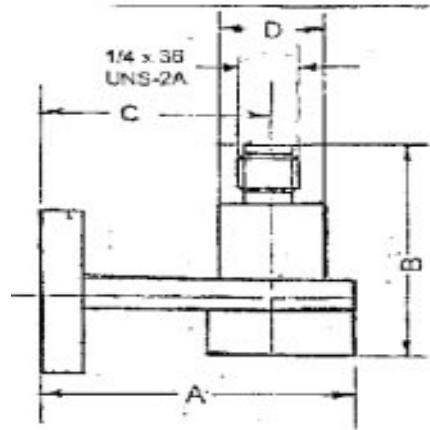
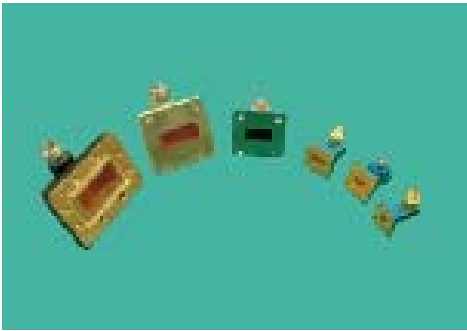


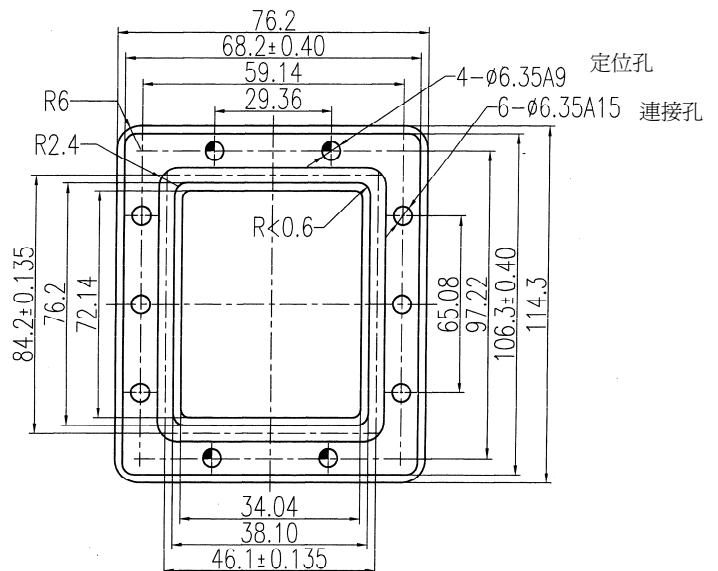
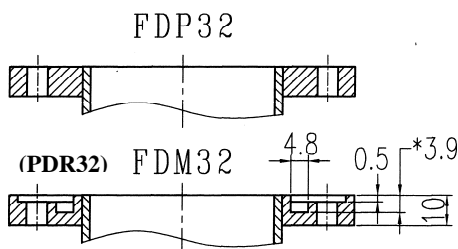
Waveguide Adapter



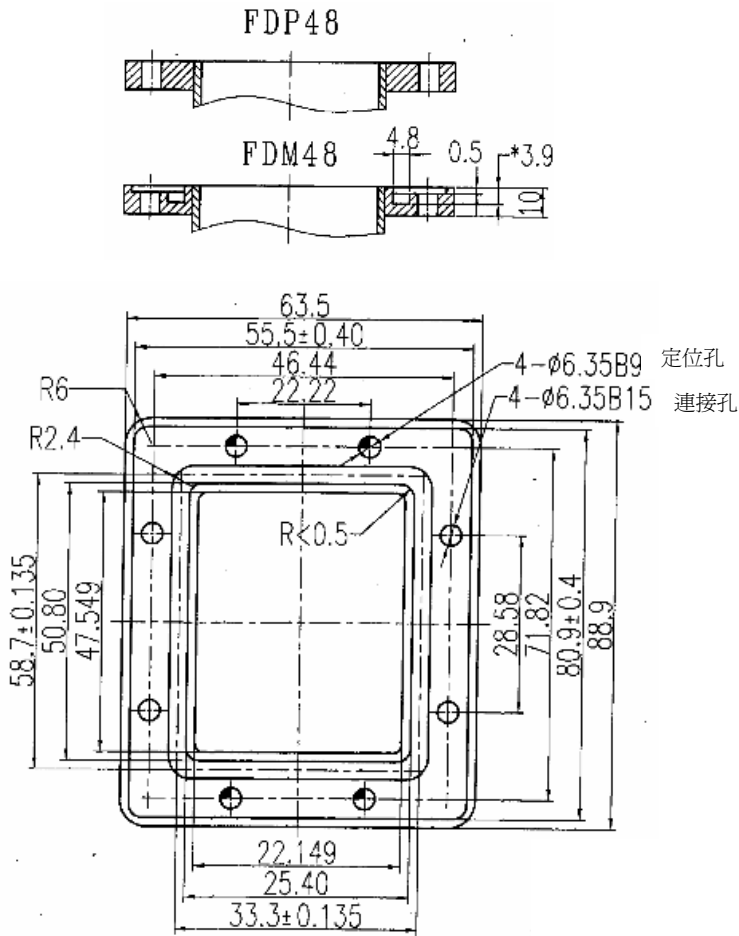
Model	Frequency (GHz)	Flange	Waveguide Type	Coaxial Type	VSWR	Dimension (mm)			
						A	B	C	D
0060WA2EOBB01X	2.60-3.95	PDR-32	WR284	SMA (N available)	1.25	68	74	34	18
0060WA2MOAB01X	3.94-5.99	FDP-48	WR187			49	54.3	27	18
0060WA2KOBBO1X	5.38-8.17	PDR-70	WR137			40	45	24	18
0060WA2FOA501X	8.2-12.4	UG39/U	WR90			38	25	22	17
0060WA2A0B501X	10.0-15.0	UBR120	WR75			34	24	20	17
0060WA2BOBB01X	12.4-18.0	UG419/U	WR62			32	22	20	17
0060WA2COBB01X	18.0-26.5	UG595/U	WR42	SMA (N available)	1.30	30	20	20	14
0060WQ2COBB01X	18.0-26.5		WR42			"K"	30	26	22
0060WQ2DOBB01X	26.5-40	UG599/U	WR28	"K"		30	25	22	10
0060WQ2LOBB01X	33-42	UG383/U	WR22	"K"		30	25	22	10

Flange

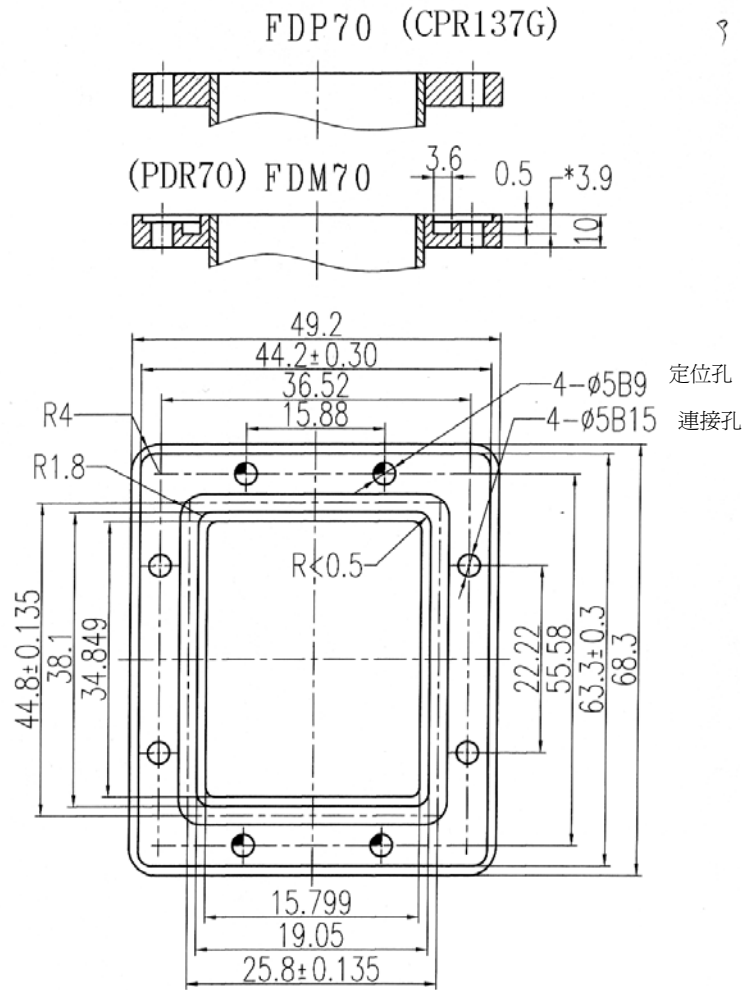
PDR32



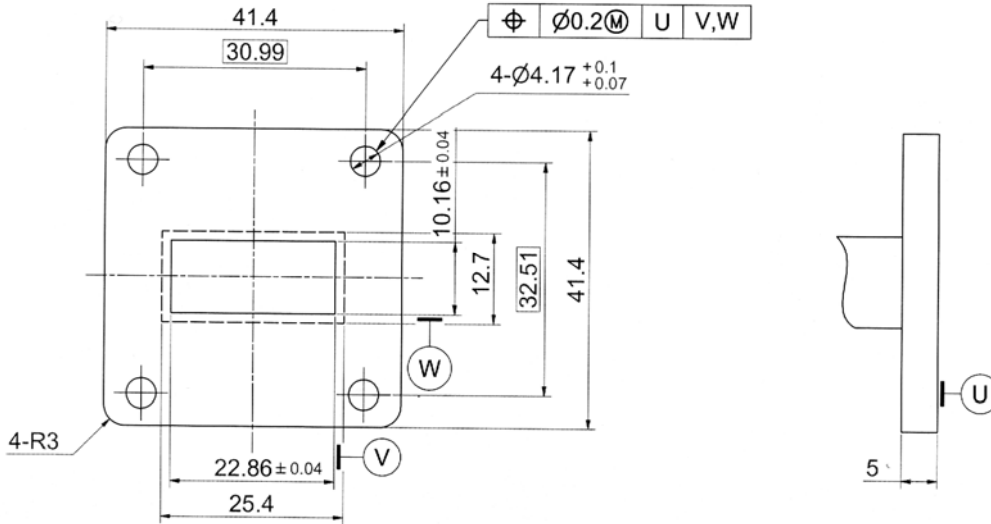
FDP48



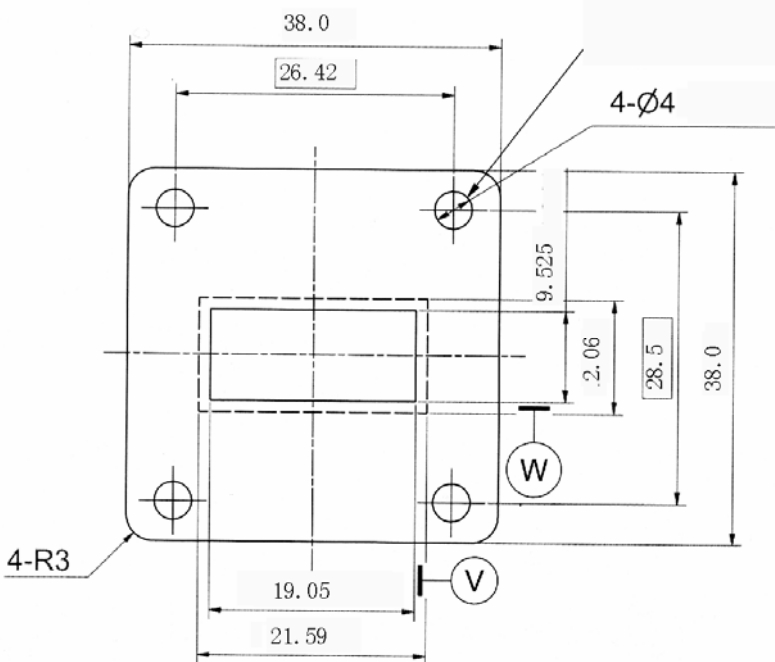
PDR70



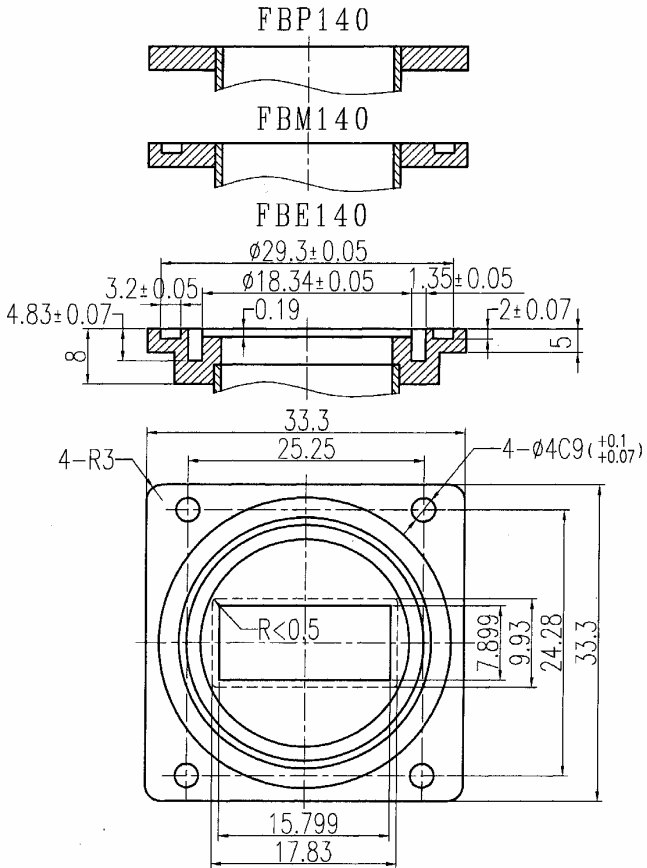
UG39



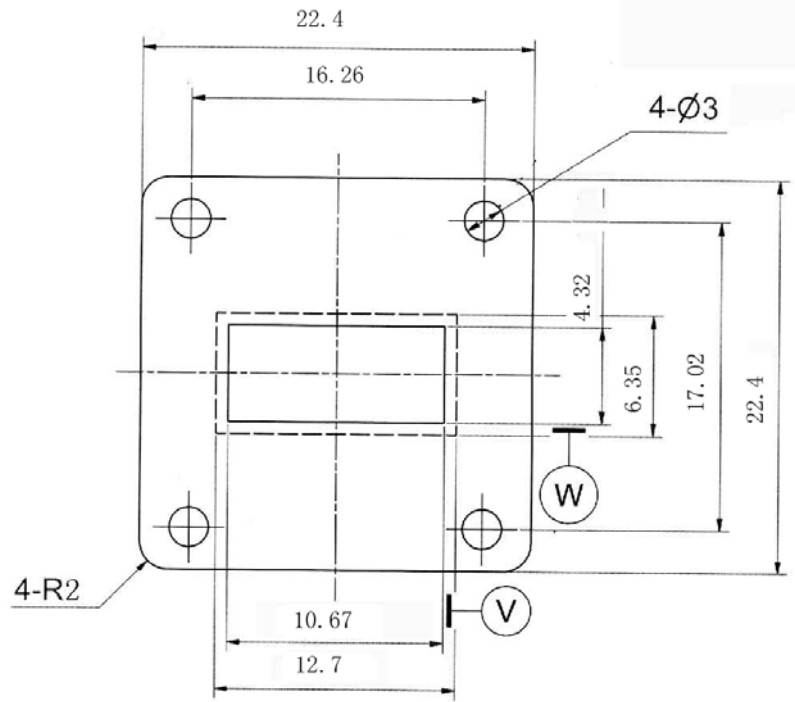
UBR120



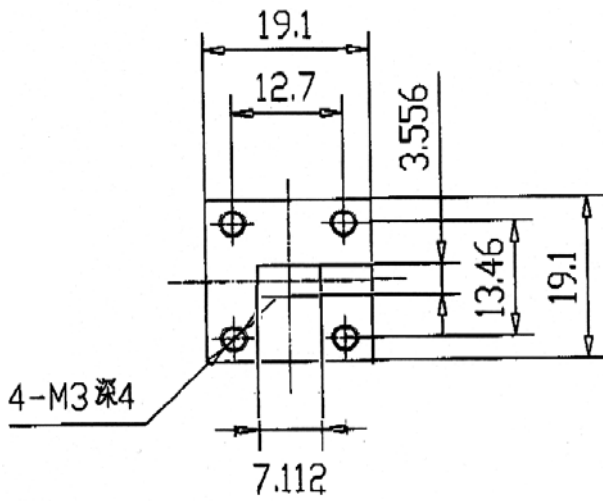
UG419



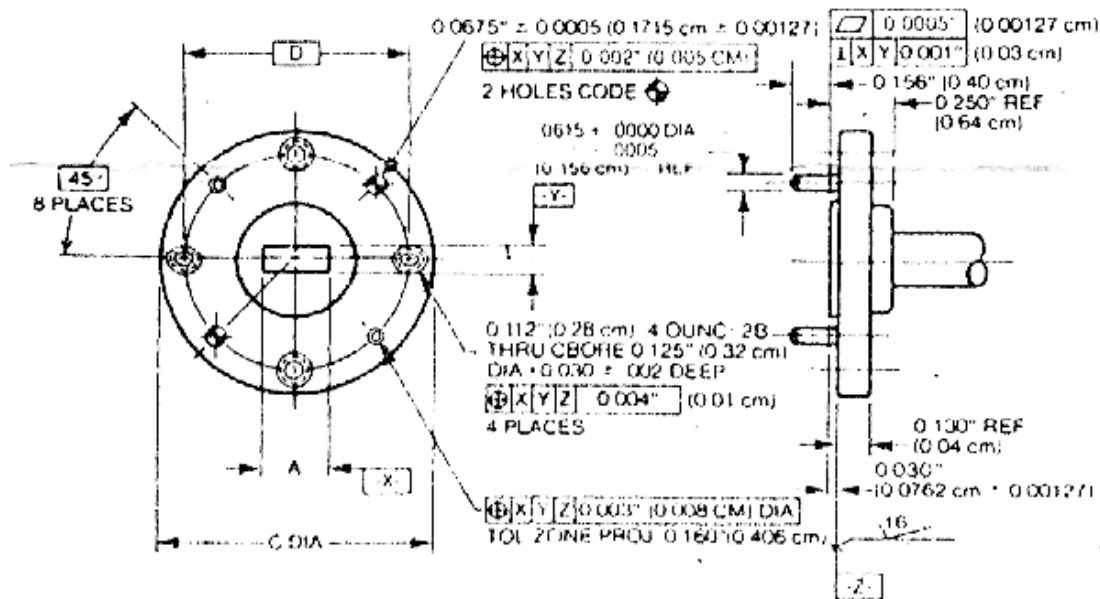
UG595



UG599



UG383



Waveguide Specifications			
Inside Dimensions (inches (cm))		Outside Dimensions (inches (cm))	
a x b	tol ±	a x b	tol ±
0.224 x 0.112 (0.57 x 0.28)	0.0010 (0.0025)	0.304 x 0.192 (0.772 x 0.488)	0.0020 (0.0051)